

4

3

2

1

SPECIFICATIONS:

POWER RATING: 100 WATTS CW

- WHEN MOUNTED TO A HEAT SINK
CAPABLE OF MAINTAINING THE CASE
TEMPERATURE AT OR BELOW 100°C

FREQUENCY RANGE: 806 TO 906 MHz

INSERTION LOSS: < 3.25 dB MAX.

ISOLATION: 20 dB MIN. (J2 TO J3)

VSWR: 1.20:1 MAX. (ALL PORTS)

MATCHING: < 1° PHASE (TYPICALLY 0.2)

< 0.1 dB AMPLITUDE (TYPICALLY 0.05 dB)

CONNECTORS: N-TYPE FEMALE, HERMETICALLY SEALED FLANGE

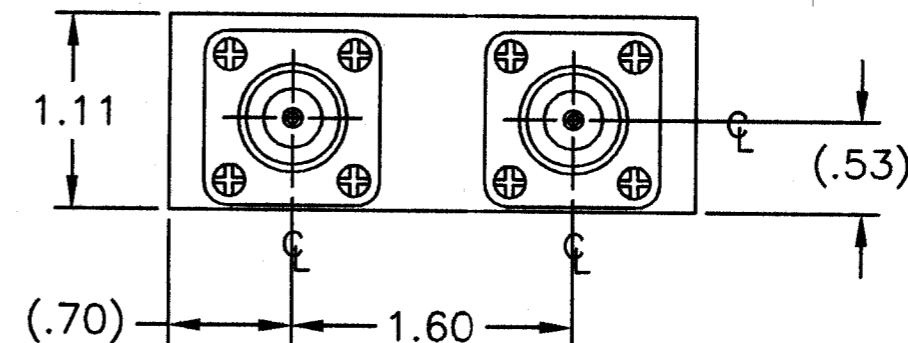
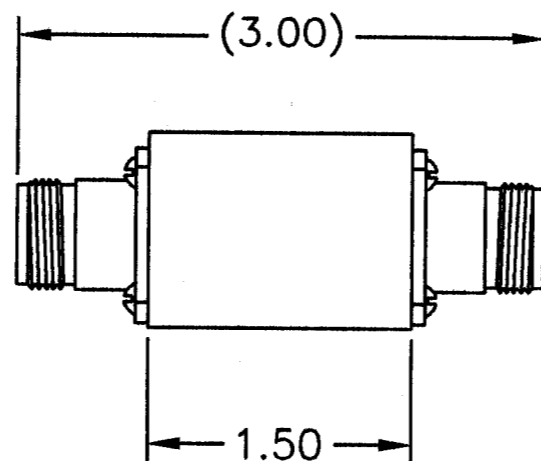
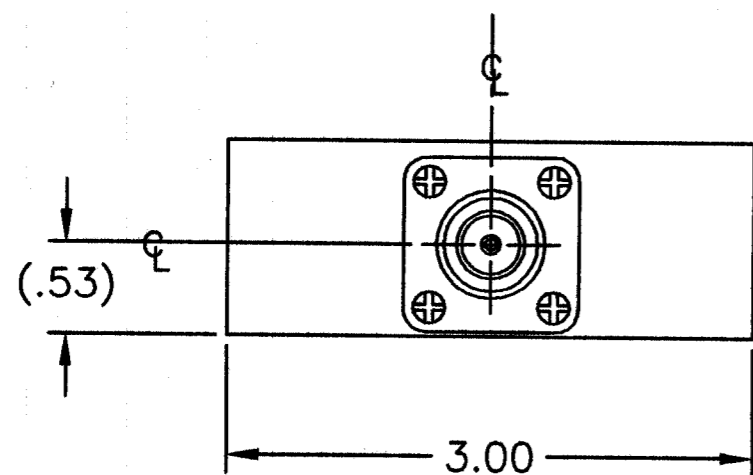
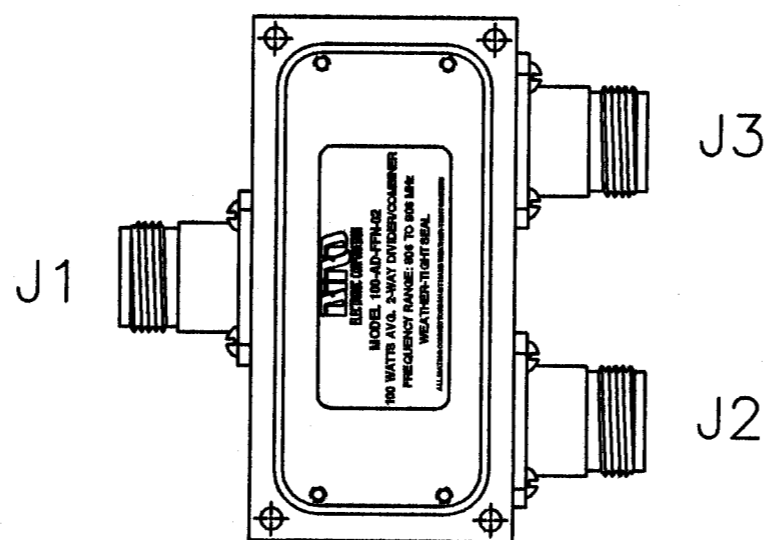
ENVIRONMENTAL: WEATHER TIGHT SEAL

ALL MATING CONNECTORS MUST HAVE WEATHER-TIGHT GASKETS.

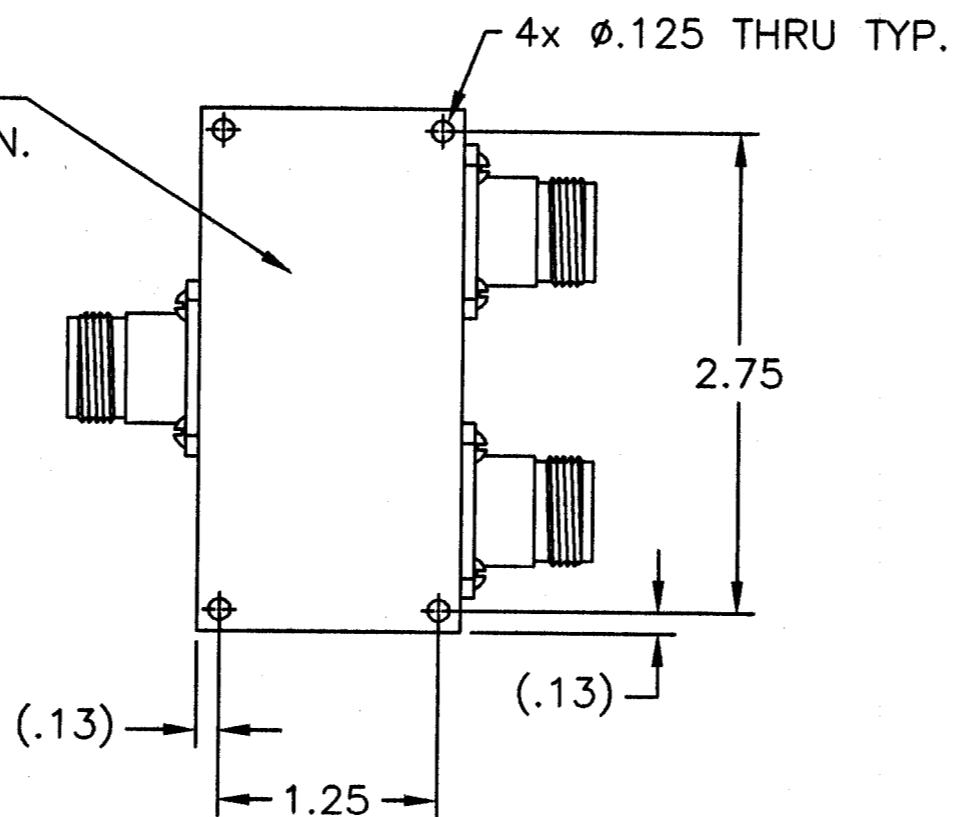
HOUSING: ALUMINUM, SILVER PLATED

NOMINAL SIZE: APPROX. 1.115" H x 3.00" W x 3.00" D

REVISIONS		DWG. NO.	100-AD-FFN-02	SHEET	REV
ZONE	REV	DESCRIPTION	DATE	APPROVED	
	A	CONVERT TO BEC FORMAT	DMR 2-20-03	MEW	



HEAT TRANSFER SURFACE IS
FLAT TO WITHIN .001 IN./PER IN.

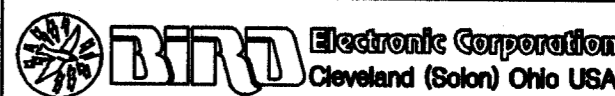


DIMENSIONS HEREON ARE FOR CUSTOMER
CONVENIENCE AND REFERENCE ONLY.
TOLERANCE TO BE APPLIED ONLY WHERE
INDIVIDUALLY STATED ON THE RESPECTIVE
DIMENSION. -DO NOT SCALE DRAWING-

UNLESS OTHERWISE SPECIFIED
DIMENSIONS ARE IN INCHES
TOLERANCES ARE:
FRACTIONS DECIMALS ANGLES
±1/84 ±.010 ±30'

MILLIMETERS
X= ±.4
XX= ±.12

THIS DRAWING IS THE PROPERTY OF THE BIRD ELECTRONIC CORPORATION. THE DESIGNS AND SPECIFICATIONS DISCLOSED HEREON ARE PROPRIETARY AND SHALL NOT BE REPRODUCED, NOR COPIED, NOR USED AS THE BASIS FOR THE MANUFACTURE OR SALE OF APPARATUS OR DEVICES WITHOUT THEIR EXPRESS WRITTEN CONSENT.



MATERIAL	APPROVALS	DATE
FINISH	D.M.RINK	2-20-03
	MARKY	6-15-03
	AUTOCAD	

TITLE		WEATHER-TIGHT SEALED DIVIDER/COMBINER 2-WAY, N-TYPE FEMALE, 806 TO 906MHz	
SIZE	FSCM NO.	DWG. NO.	REV
C	70998	100-AD-FFN-02	A
SCALE	1:1	COMM CODE	BC3
		SHEET	1 OF 1

4

3

2

1